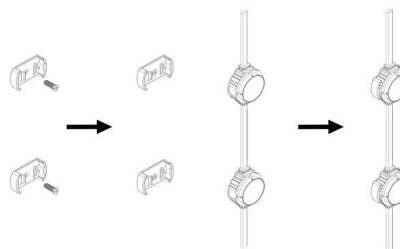




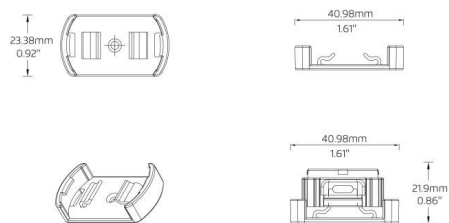
Product Dimensions (mm)



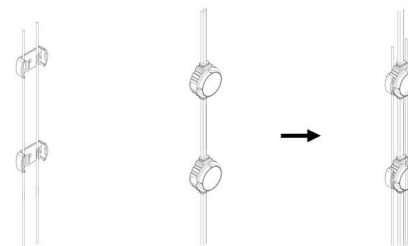
Installation Method 1



Installation Accessories



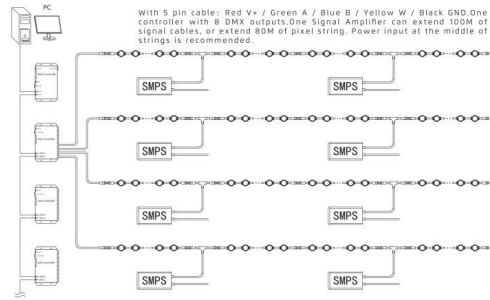
Installation Method 2



Installation Method 3



Control System Diagram



Installation Method 4

